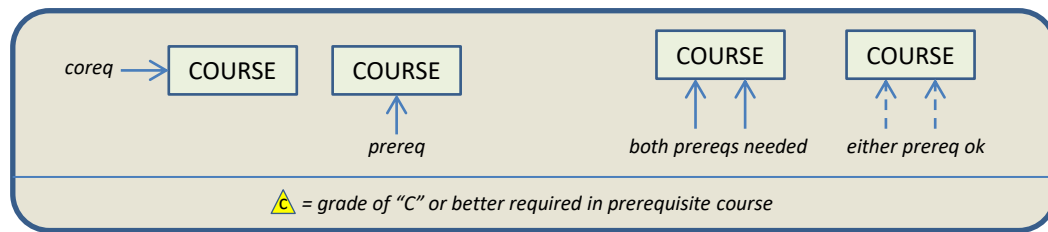
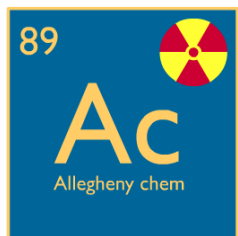
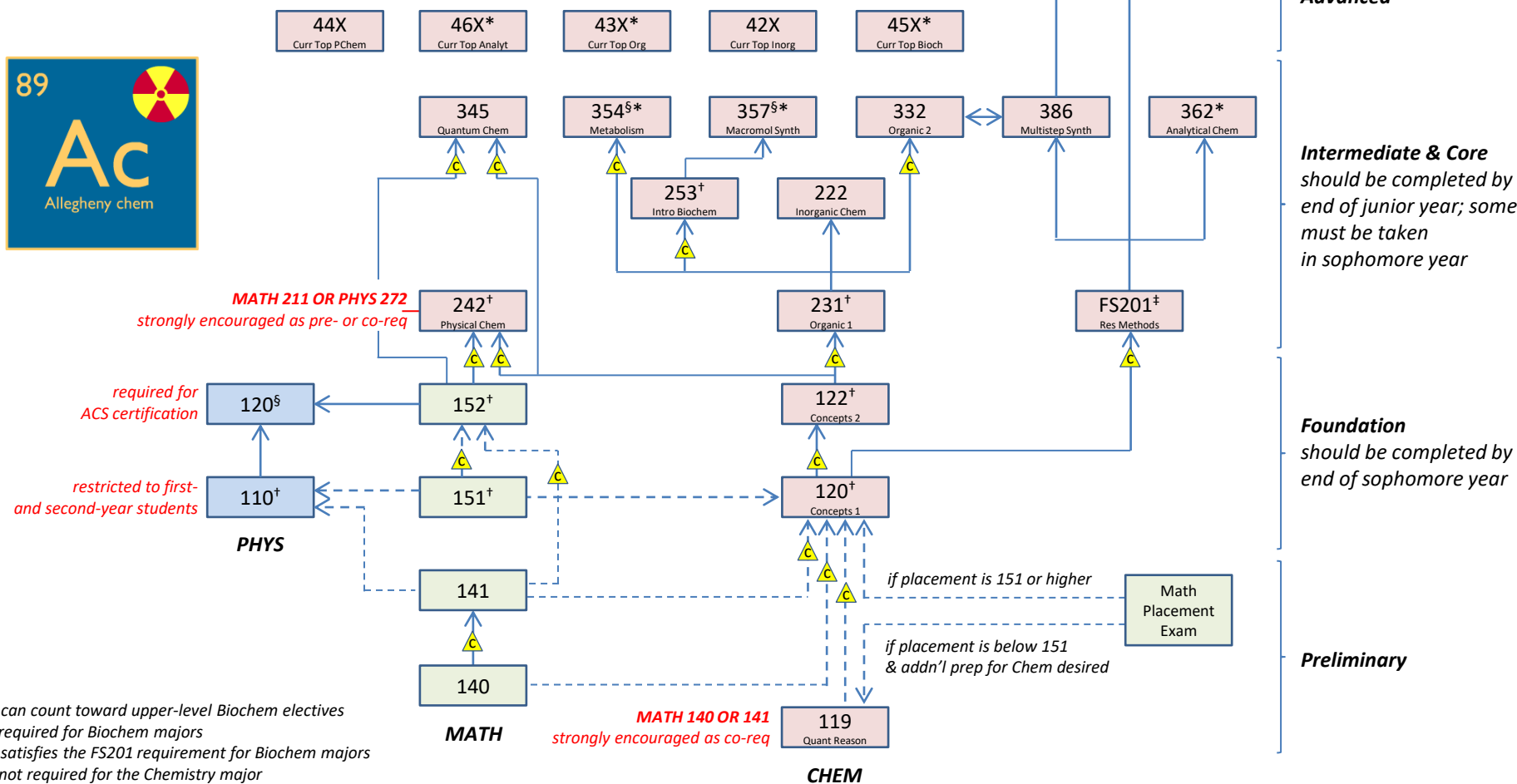


Visual Guide to the Chemistry Major

version March 2021



only one 400-level required for major; two required for ACS certification; prerequisites vary



*can count toward upper-level Biochem electives
[†]required for Biochem majors
[‡]satisfies the FS201 requirement for Biochem majors
[§]not required for the Chemistry major